



# PRODUCT DATA SHEET

DGI 02.06.02

REFERENCE

DESCRIPTION

REV

DATE

**SCG100**

ELECTROLYSIS OF SALT For POOL UNTIL 90 m3

0

29/10/18

## CHARACTERISTICS

EAN13 CODE: 8412081273655

CONTROL BOX SIZE : **19.5 x 13 x 26** cm

CONTROL BOX WEIGHT : **2,760** kg

CHLORINATOR SIZE: Ø **16 x 16 x 34** cm

CHLORINATOR WEIGHT: **1,300** kg

WITHOUT PLUG

For POOL UNTIL 90 m3

CHLORINE PRODUCTION: 21 gr / h

## GRE SALT SYSTEM



## PACKAGING

UNITS: 1

PACKAGING SIZE: 48 x 26 x 34 cm

PACKAGE VOLUME: 0,042 m<sup>3</sup>

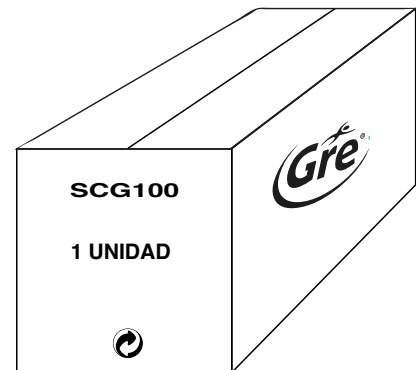
UNIT WEIGHT: 7,720 kg

BOX WEIGT : **0,480** kg

CONTENT 2 BOXES:

CHLORINATOR BOX: **45 x 24.5 x 15** cm ( 260 g )

CELULA BOX: **33 x 17 x 18.5** cm ( 220 g )



## PALETS

PALET SIZE: 120 X 80 X 15 cm

TOTAL SIZE PALET: 120 X 80 X 151 cm

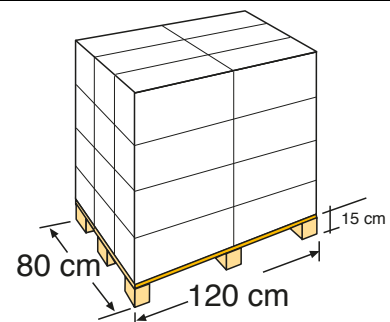
TOTAL VOLUME: 1,44 m<sup>3</sup>

4 LAYERS X 6 BOXES

TOTAL PACKAGES PALET: 24

UNITS PALET: 24

TOTAL WEIGHT PALET: 205,280 kg



## NOTES

FOR ABOVE GROUND AND IN GROUND POOLS